



[buerostuehle-4u.de](http://buerostuehle-4u.de)  
[officechair-4u.com](http://officechair-4u.com)

webshop of



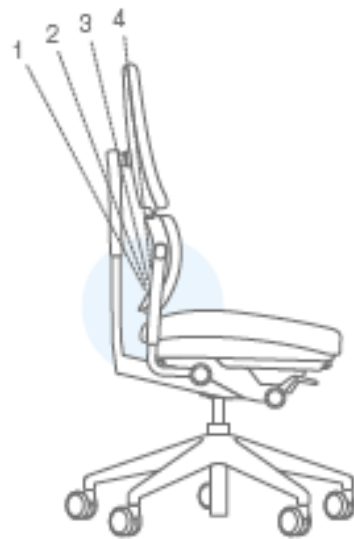
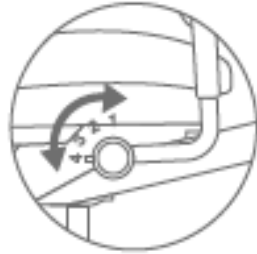
# Steelcase Please Swivel Chair

So simple in assembly and handling:

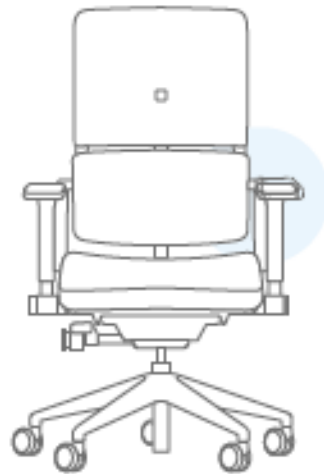
- Seat depth



- Backrest



- Armrests



- Seat height



- Backrest height



- Backrest hardness





- Simple assembly:  
step 1



- step 2



- step 3  
put seat up



- step 4  
put armrests up



- step 5:  
put backrest holders up



- step 6  
take off transport lock (left and right)



- step 7  
**don't remove** white plastic spacer!



- step 8  
press the locking outwards





- step 9  
attach the backrest onto the running rail

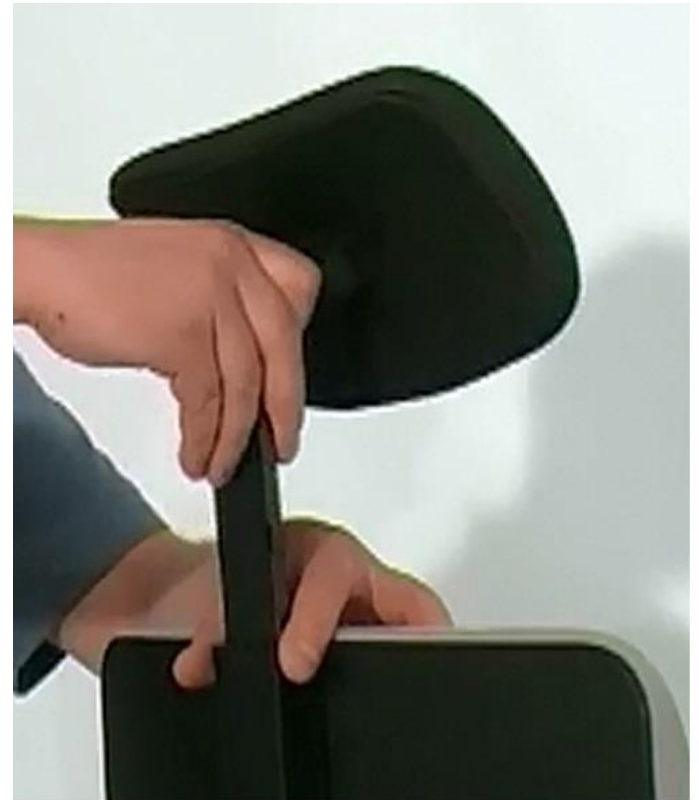


- step10  
arrest the locking  
push the backrest up



# Steelcase Please with headrest:

- insert headrest on the backrest.



Enjoy your

Steelcase Please swivel chair!



[buerostuehle-4u.de](http://buerostuehle-4u.de)  
[officechair-4u.com](http://officechair-4u.com)

webshop of

